



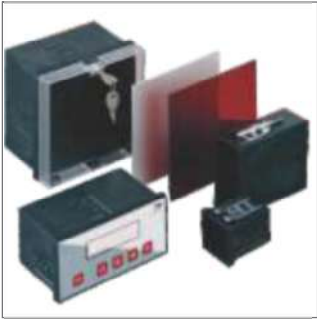
PHOENIX MECANO



**ROSE + BOPLA
INDUSTRIAL ENCLOSURE**

BOPLA - Product Overview

Uninorm
Control Panel Enclosure



Botouch



Aluplan



Euromas ABS / PC



Combinorm Classic
Dinrail Mounting Enclosure



Bocard Wall
Mounted Enclosure



Reglo Card Plus
Wall Mounted Enclosure



Bocube ABS / PC



BOS Ecoline



BOS Streamline
Handheld Enclosure



BOS
Handheld Enclosure



BOS Ecoline
Handled Enclosure



Alubos
Handheld Enclosure



Arteb
Handheld Enclosure



Botego
Desktop Enclosure



Alu - Topline
Desktop Enclosure



Bocube Aluminium



Filotec



Element



Elegant



ROSE - Product Overview

Aluminium Standard Industrial Enclosure



Polyester Standard Industrial Enclosure



Aluform



Stainless Steel Enclosure



Polyglas / Polycase



Ex Polyester



Ex d



Eco Industrial Enclosure



ATEX / ICEX Industrial Enclosure



Local Control Station



Junction Box



Glands



Beluga / Taguan Handheld Enclosure



Pilot 123 Handheld Enclosure



Pilot 250 Handheld Enclosure



Operating & Display Enclosure



Suspension System



SL 2000



MBI 2500



SL 4000



- Robust aluminium enclosure for Mechanical and Automation Engineering
- Provision for fitment of DIN Rail and Mounting Plate



Technical Data

Material	DIN EN 1706 EN AC-ALSi 12(Fe)
Ingress Protection	Standard: IP 66 To EN 60529
Impact Resistance	7 Joule To EN 60079-0
Painting	Powder Coating
Colour	Light Grey RAL 7035, Silver Grey RAL 7001, Special Paint on Request.
Temperature Range	PU (polyurethane) seal (std.): -40°C to +90°C CR (chloroprene) seal: -40°C to +100°C VMQ (silicone) seal (optional): -60°C to +130°C

Included In Delivery:

Aluminium die cast enclosure consisting of lid, seal, incl. captive +/- stainless steel screws, lower section with 2 or 4 earthing screws.

Programme Range

Sr.No.	Order No.	W	x	L	x	H
1	01.05 05 03	45	x	50	x	30
206 06 03	64	x	58	x	34
306 10 03	64	x	98	x	34
406 15 03	64	x	150	x	34
506 19 03	64	x	185	x	34
608 08 06	80	x	75	x	57
708 13 06	80	x	125	x	57
808 18 06	80	x	175	x	57
908 25 05	80	x	250	x	52
1010 10 08	100	x	100	x	81
1110 16 08	100	x	160	x	81
1210 20 08	100	x	200	x	81
1312 12 08	120	x	122	x	81
1412 12 09	120	x	122	x	91
1512 22 08	120	x	220	x	81
1612 22 09	120	x	220	x	91
1712 22 12	120	x	220	x	118
1812 36 08	120	x	360	x	81
1914 14 09	140	x	140	x	91
2014 20 09	140	x	200	x	91

Sr.No.	Order No.	W	x	L	x	H
2216 26 09	160	x	260	x	91
2316 36 09	160	x	360	x	91
2416 56 09	160	x	560	x	91
2518 18 10	180	x	180	x	101
2618 28 10	180	x	280	x	101
2723 10 11	230	x	100	x	111
2823 20 11	232	x	202	x	111
2923 20 18	232	x	202	x	181
3023 28 11	230	x	280	x	111
3123 33 11	230	x	330	x	111
3223 33 18	230	x	330	x	181
3323 40 11	230	x	400	x	111
3423 40 23	230	x	400	x	225
3523 60 11	230	x	600	x	111
3631 40 11	313	x	404	x	111
3731 40 14	312	x	403	x	141
3831 40 18	313	x	404	x	181
3931 40 23	313	x	404	x	227
4031 60 11	310	x	600	x	111
4131 60 18	310	x	600	x	181

ROSE Aluform Standard Enclosure

- Aluminium diecast enclosure for MCR and automation engineering
- Front Membranes and Keypads can be fitted on the lid
- Rectangular dome sequence in cover and base

Technical Data

Material	DIN EN 1706 EN AC-ALSi 12(Fe)
Ingress Protection	Standard: IP 66 To EN 60529
Impact Resistance	7 Joule To EN 60079-0
Painting	Powder coated
Colour	Agate grey, RAL 7038, Special colour on request.
Temperature Range	PU (polyurethane) seal (std.): -40°C to +90°C CR (chloroprene) seal: -40°C to +100°C VMQ (silicone) seal (optional): -60°C to +130°C



Programme Range

Sr.No.	Order No.	W	x	L	x	H	
1	04.08 08 08	80	x	80	x	81	
2	04.08 12 08	80	x	120	x	81	
3	04.10 10 06	100	x	100	x	61	
4	04.10 16 06	100	x	160	x	61	🇮🇳
5	04.10 20 06	100	x	200	x	61	
6	04.12 12 08	120	x	120	x	81	
7	04.12 16 08	120	x	160	x	81	🇮🇳
8	04.14 14 07	140	x	140	x	71	
9	04.14 18 07	140	x	180	x	71	
10	04.14 22 07	140	x	220	x	72	
11	04.16 06 08	160	x	160	x	81	
12	04.16 24 08	100	x	240	x	81	🇮🇳
13	04.20 20 07	200	x	200	x	72	
14	04.20 28 07	200	x	280	x	72	
15	04.08 12 05	80	x	120	x	50	🇮🇳
16	04.15 18 08	150	x	180	x	80	🇮🇳
17	04.28 28 11	280	x	280	x	110	🇮🇳

Included In Delivery:

Aluminium die cast enclosure consisting of lid, seal, incl. captive +/- stainless steel screws, base with 4 earthing screws.

ROSE Stainless Steel Enclosure - 37/34/36/35.....

- Universal industrial enclosures for hygienic areas
- High quality surface 1.4301
- No gaps between lid/base
- Enclosure rating up to IP 69K (on request)
- Optional individual sizes and versions

Technical Data

Material	Stainless steel 1.25 mm or 1.5 mm; 1.4301 / 304 1.4404 / 316L
Ingress Protection	IP 66 to EN 60529 high pressure cleaner-resistant version (IP 69K) on request
Seal	VMQ (silicone) EMC on request
Surface	Grinded, grain 240. Other surface on request
Temperature Range	-40°C to +80°C other temperature ranges on request



Programme Range (Customized sizes, removable gland plates available on request)

Sr.No.	Order No.	W	x	L	x	H	
1 10 10 06	100	x	100	x	61	🇮🇳
2 15 10 06	100	x	150	x	61	🇮🇳
3 20 10 06	100	x	200	x	61	🇮🇳
4 15 15 08	150	x	150	x	81	🇮🇳
5 30 15 08	150	x	300	x	81	🇮🇳
6 40 15 08	150	x	400	x	81	🇮🇳
7 20 20 08	200	x	200	x	81	🇮🇳
8 20 20 12	200	x	200	x	121	🇮🇳
9 30 20 08	200	x	300	x	81	🇮🇳
10 30 20 12	200	x	300	x	121	🇮🇳
11 40 20 12	200	x	400	x	121	🇮🇳
12 60 20 12	200	x	600	x	121	🇮🇳
13 30 30 12	300	x	300	x	121	🇮🇳
14 30 30 16	300	x	300	x	161	🇮🇳
15 40 30 16	300	x	400	x	161	🇮🇳
16 50 30 16	300	x	500	x	161	🇮🇳
17 38 38 16	380	x	380	x	161	🇮🇳
18 50 40 16	400	x	500	x	161	🇮🇳

Included In Delivery:

Enclosure base with bracket clips and threaded hole for attachment of DIN rails, 4 mounting bosses with attachment holes and

- Robust Plastic Enclosure for Automation Engineering
- Universal Configuration
- Fixing Options for Din Rails & Mounting Plates



Technical Data

Material	Glass fibre reinforced duroplastic polyesters
Ingress Protection	IP 66 To EN 60529
Impact Resistance	7 Joule To EN 60079-0
Flammability	Self extinguishing, UL 94 V0
Insulation	Fully insulated to VDE 0100
Disruptive Strength	18 Kv/mm, IEC 60243-1
Toxicity	Halogen-free
Surface Resistance	10^9 Ohm to IEC 60093
Colour	Silver Grey RAL 7001 / Black RAL9011 Special colour on request
Temperature Range	PU (polyurethane) seal (std.): -40°C to +90°C CR (chloroprene) seal: -40°C to +100°C VMQ (silicone) seal (optional): -60°C to +130°C

Included In Delivery:

Plastic enclosure in glass fibre-reinforced Polyester consisting of lid, seal, incl. captive +/- stainless steel screws, base with 2 or 4 earthing screws.

Programme Range

Sr.No.	Order No.	W	x	L	x	H
1	02.06 06 03	55	x	55	x	37
206 06 06	55	x	55	x	59
308 08 06	75	x	80	x	56
408 08 08	75	x	80	x	75
508 11 06	75	x	110	x	56
608 11 08	75	x	110	x	75
708 16 06	75	x	160	x	56
808 16 08	75	x	160	x	75
908 19 06	75	x	190	x	56
1008 19 08	75	x	190	x	75
1108 23 06	75	x	230	x	56
1208 23 08	75	x	230	x	75
1310 32 08	100	x	320	x	81
1412 12 09	120	x	122	x	91
1512 22 09	120	x	220	x	91

Sr.No.	Order No.	W	x	L	x	H
1616 16 09	160	x	160	x	91
1716 26 09	160	x	260	x	91
1816 36 09	160	x	360	x	91
1916 56 09	160	x	560	x	91
2025 26 12	250	x	255	x	121
2125 26 16	250	x	255	x	161
2225 40 12	250	x	400	x	121
2325 40 16	250	x	400	x	161
2425 60 12	250	x	600	x	121
2536 36 09	360	x	360	x	91
2641 40 12	405	x	400	x	121
2741 40 20	406	x	401	x	201
28Oktabox	120	x	120	x	91
29Oktabox	160	x	160	x	91
30Oktabox	200	x	200	x	125

BOPLA - Euromas Polycarbonate (PC) / ABS Enclosure

- Light Plastic Enclosures for Industrial Application
- Polycarbonate Enclosure with Standard or Transparent lid
- Colours Light Grey RAL 7035

Technical Data

Material	Polycarbonate	ABS
Flammability	V O, UL 94	HB, UL 94
Temperature Range	-40°C to + 100°C, CR-(chloroprene) seal	-40°C to + 80°C, CR-(chloroprene) seal



Programme Range

Polycarbonate		PC with Transparent Lid	ABS				
Order No.	Order No.	Order No.	W	x	L	x	H (mm)
02210000-M210	02210000-M210G	03210000-T210	80	X	82	X	55
02225000-M225	02225000-M225G	03225000-T225	80	X	82	X	85
02215000-M215	02215000-M215G	03215000-T215	80	X	120	X	55
02226000-M226	02226000-M226G	03226000-T226	80	X	120	X	85
02221000-M221	02221000-M221G	03221000-T221	120	X	200	X	75
02237000-M237	02237000-M237G	03237000-T237	120	X	200	X	90
02253000-M253	02253000-M253G	03253000-T253G	230	X	300	X	85
02254000-M254	02254000-M254G	03254000-T254G	230	X	300	X	110
NA	NA	B09282813	280	X	280	X	130

Transparent Lid enclosures are also available with ABS Base

Included In Delivery:

Plastic enclosure consisting of lid, seal, incl. captive +/- stainless steel screws, base with 2 self-shaping fastening screws for internal fitting.

BOPLA - Uninorm Control Panel Mounting Enclosure acc. to DIN IEC 61554

Model	Order No.	A	B	C	a1	b1	c1
NGS 7710	17771001	72	72	109.5	61.5	61.5	103
NGS 9406	17940601	96	48	63	86.2	38.8	56.5
NGS 9408	17940801	96	48	85	86.2	38.8	78.5
NGS 9410	17941001	96	48	109.5	86.2	38.8	103
NGS 9411	17941101	96	48	119	86.2	38.8	112.5
NGS 9413	17941301	96	48	141	86.2	38.8	134.5
NGS 9416	17941601	96	48	165.5	86.2	38.8	159
NGS 9606	17960601	96	96	63	86.2	86.2	56.5
NGS 9608	17960801	96	96	85	86.2	86.2	78.5
NGS 9610	17961001	96	96	109.5	86.2	86.2	103
NGS 9611	17961101	96	96	119	86.2	86.2	112.5
NGS 9613	17961301	96	96	141	86.2	86.2	134.5
NGS 9616	17941601	96	96	165.5	86.2	86.2	159
NGS 9806	17980601	144	144	64	131.5	131.5	56.5
NGS 9808	17980801	144	144	85	131.5	131.5	78.5
NGS 9810	17981001	144	144	110.5	131.5	131.5	103
NGS 9811	17981101	144	144	120	131.5	131.5	112.5
NGS 9813	17981301	144	144	142	131.5	131.5	134.5
NGS 9816	17981601	144	144	166.5	131.5	131.5	159



Scope of Delivery:

NGS : Enclosure, standard front frame, rear lid, screws

Bopla - CombiNorm - Classic DIN Rail Mounting Enclosures

- Colour: Light grey, similar to RAL 7035; special colours on request
- Protection Glass: Up to IP 40/DIN EN 60529, terminals IP 20/ DIN EN 60529
- Enclosure Material: ABS; UL 94 V0 material on requests; for details see Technical Information

The enclosures can be latched onto the 35mm rail in accordance with DIN EN 60715 TH 35.

The hinged latching hoods CNH..N or CNH..H can be opened upwards or downwards or removed completely, as required. If necessary, they can also be sealed. When sealed, the hood also conceals the screws of the connection terminals (not STL 950/V). The CNS types have a side-mounted flap for adjustment of devices during operation.

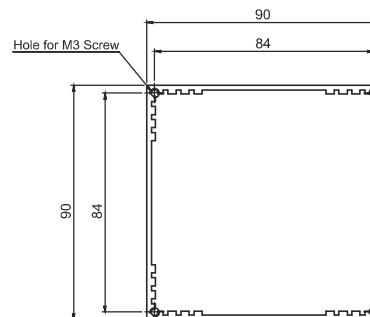
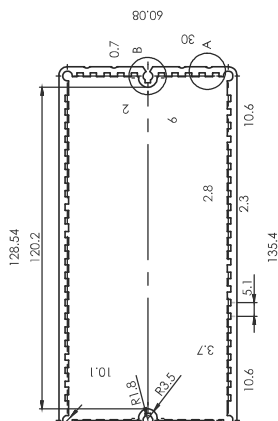
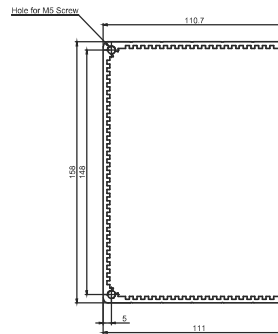
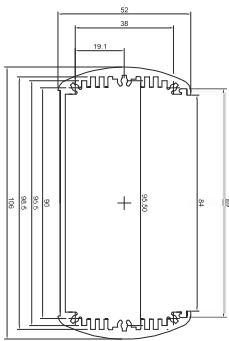
To comply with CSA and other regulations, on request we can supply the enclosures in high-temperature and flame-resistant material (UL 94 V0). All the terminals listed below are UL (UL 1059), CUL (CSA 22.2 no. 158), VDE (EN 60998) approved.



Model	Maximum insertion with terminals
CN(S) 22 AK	2 x 4- pole
CN(S) 45 AK	2 x 8- pole
CN(S) 55 AK	2 x 10- pole
CN(S) 70 AK	2 x 13- pole
CN(S) 100 AK	2 x 19- pole

Any terminal positions which are not needed can be closed with blind CNB 100.

Customized Aluminium Extruded Enclosures



SL 2000

- Enclosure system for control and display fittings
- Variable size available in width and depth
- All-round adaptation capabilities for accessories
- Front panel insertion from front and rear

Technical Data

Material	Profile: DIN EN 573 EN AW-ALMgSi front panel / rear wall: DIN EN 573 EN AW-ALMg3 corner pieces: DIN EN 1706 EN AC-ALSi 12 (Fe)
Seal	CR round seal
Colour	Enclosure: powdered light grey, RAL 7035 handle tube: powdered ruby red, RAL 3003
Ingress protection	IP 65, EN 60529 possible
Temperature Range	-30°C to +80°C



Included In Delivery:

Enclosure body with rear panel or door, front panel fixing set, cover profile and Tgroove cover.

MBI 2500

A robust enclosure made from a combination of aluminium extruded side walls coupled with gravity die cast corners joints. Display Enclosure for housing of MMI, Controllers can be suspended on the standard GTN-II & GT48/2 suspension systems.

Technical Data

Material	Profile DIN EN 573 AW-alMgSi
Front Panel / Rear Wall	Aluminium Anodised / Powder Coated
Cat Corners	DIN EN 1706
Colour	RAL 7035, Light Grey / Aluminium Natural Anodised
Ingress Protection	Upto IP 54



SL 4000

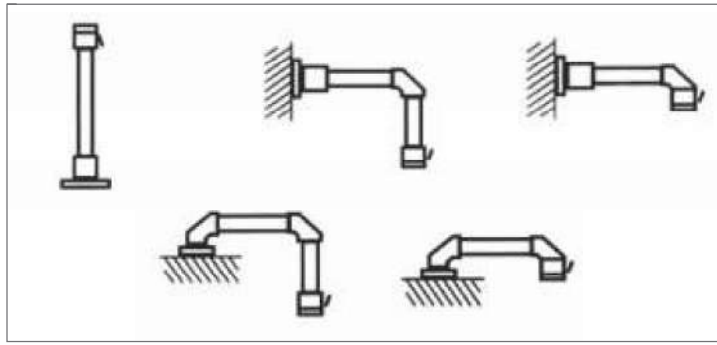
- Modern enclosure system for control and display systems
- Flexible size variability in height and width, 3 enclosure depths
- Easy mounting of door hinge and Seal system
- Integrated handle system

Technical Data

Material	Profile: DIN EN 573 EN AW-ALMgSi Cast corner: DIN EN AC-ALSi 12Cu 1 (Fe)
Seal	Material: corner: PE seal Front panel: CR seal
Painting / Surface	Powder coating or natural anodized
Colour	Profile: optional RAL 7035 or natural anodized Corner element: optional RAL 7035 or RAL 9007 Special colour on request
Ingress protection	IP 65 to EN 60529 possible
Temperature Range	-30°C to +80°C



Suspension Systems - GTN II & GT 48/2



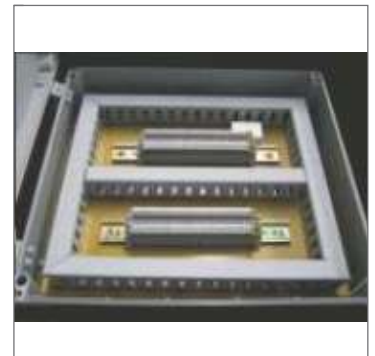
For complete range of Suspension System Components, please ask for detailed catalogue

GT 50



GTK 80





Phoenix Mecano, your powerful partner, stands for more than just a supplier of an empty enclosure, but rather a complete product. Our range of high quality enclosures are backed by a continuously expanding range of value add services to meet your requirements. We offer the following services:

- Mechanical Processing - drilling, tapping, milling.
- Screen or Pad Printing.
- Fitting of terminal and other electromechanical components.
- Pre - wiring.
- EMC Measures.

At our warehouse in Pune we stock more than 1000 different items which enables us to react to your requests in a matter of days. In addition we are backed by extensive stock of more than 15,000 items carried by ROSE and BOPLA which ensure that from development to series production of your product, your enclosure requirements can be met within few weeks.



PHOENIX MECANO

Phoenix Mecano India Pvt. Ltd.

Head Office & Sales:

388 Bhare, Taluka Mulshi, Pirangut Industrial Area, Pune - 412115

Tel. No.: +91 20 6674 5000 | Fax No.: +91 20 6674 5126 | E- mail: admin@pmipl-online.com

www.phoenixmecano.co.in

Regional Offices:

Bangalore:

Phoenix Mecano India Private Limited, Plot No. 140, 4th phase, Bommasandra Industrial Area, Bangalore - 560099.

Tel No.: +91 80 2783 9366

Chennai:

Phoenix Mecano India Private Limited, Plot No.111, P.H. Road, (Near SRS Kalayana Madapam), Velappanchavady, Chennai - 600 077,

Tel No.: +91 44 2649 2230

Mumbai:

Phoenix Mecano India Private Limited, 306,Marol Bhavan, Makwana Road, Marol Naka, Andheri (East), Mumbai - 400 059.

Telefax: +91 22 4215 4571

Gurgaon (NCR)

